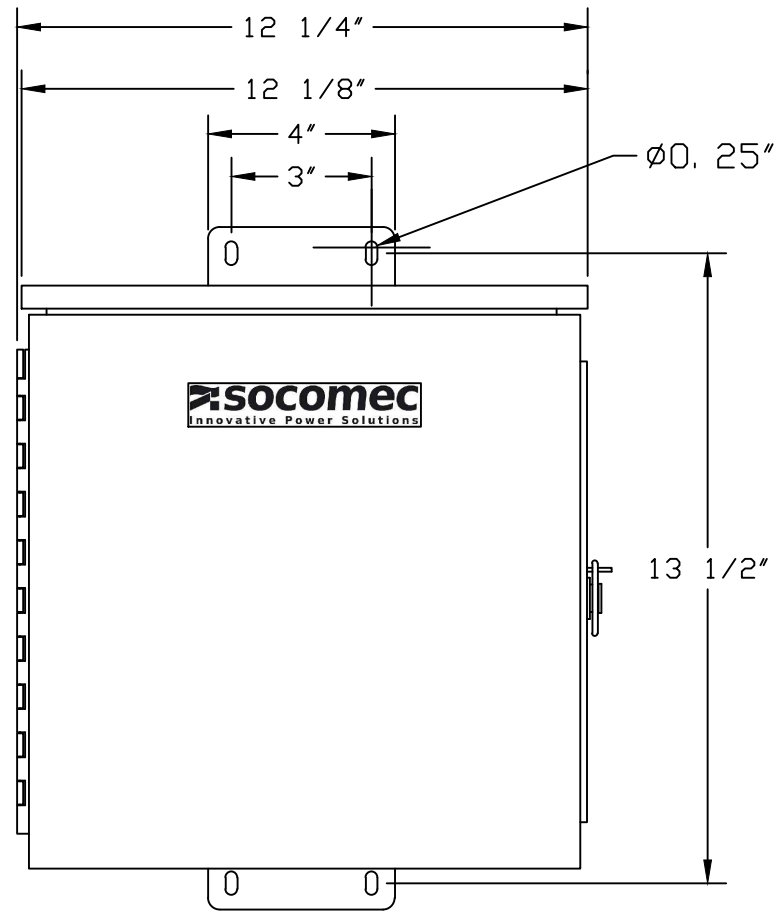
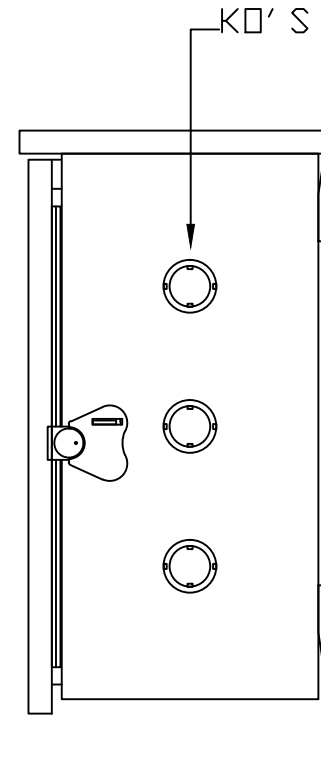


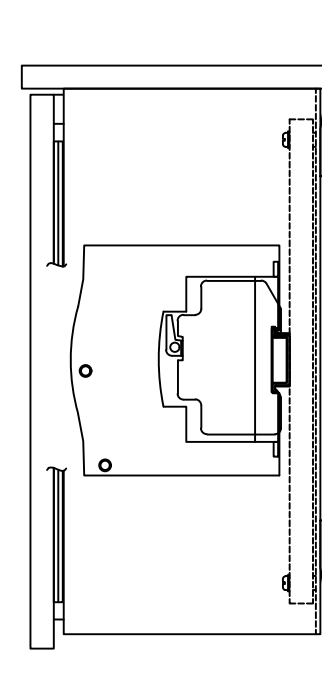
LEFT SIDE VIEW



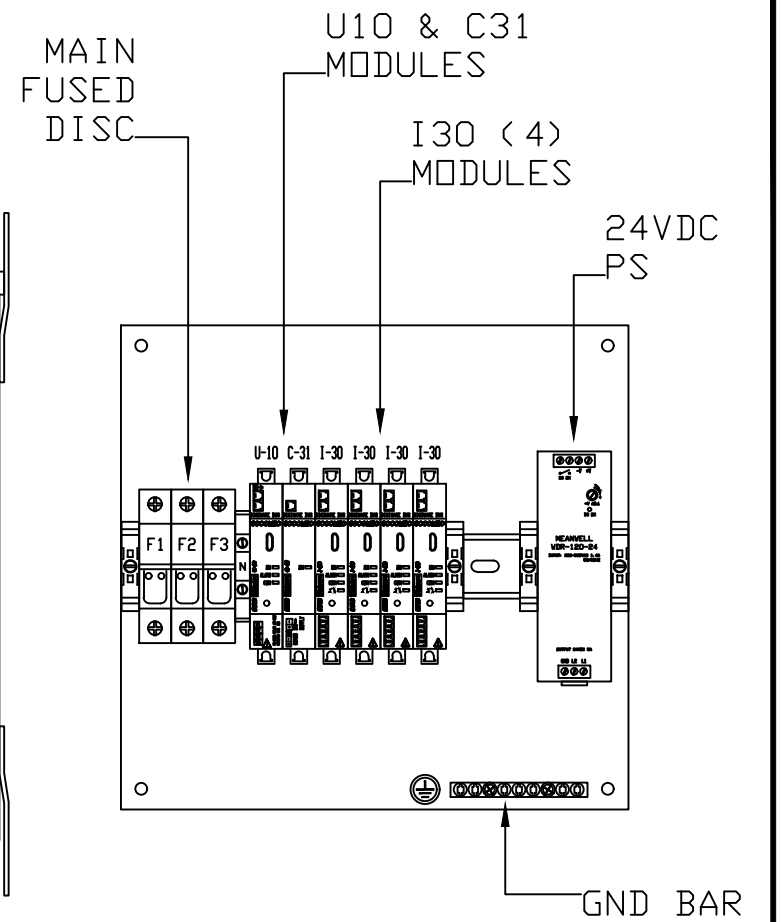
FRONT VIEW



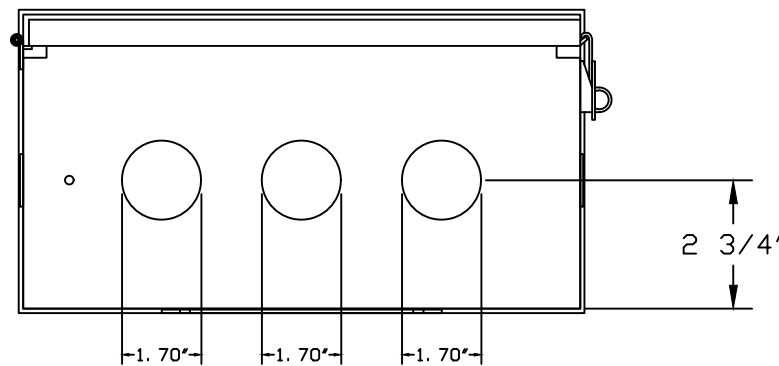
RIGHT SIDE VIEW



RIGHT SIDE VIEW  
CUTAWAY



SUBPLATE LAYOUT



BOTTOM VIEW

- NOTES:  
 1- TYPE 3R ENCLOSURE.  
 2- 14GA STEEL CONSTRUCTION.  
 3- POWDER COATED, COLOR ANSI 49 GREY.

|              |   |
|--------------|---|
| PART NUMBER: | DBB04NDO                                    |
| DESCRIPTION: | U10, C31 MODULES, 4/I-30 MODULES & 24VDC PS |
| PROJECT:     | SOCOMEK METERING PANELS - DIGIBOX-4 STYLE   |
| CUSTOMER:    | XXXX  |
| ADDRESS:     | XXXX  |
| ADDRESS:     | XXXX  |



|             |   |
|-------------|---|
| DRAWING:    | SOCOMEK METERING PANELS - DIGIBOX-4 STYLE - # DBB04NDO      |
| SCALE:      | NONE  |
| DATE:       | 9-1-2017 (REV-0)  |
| DRAWN BY:   | LPC   |
| CHECKED BY: | APN   |
| DRAWING #:  | SOCOMEK METERING PANELS - DIGIBOX-4 STYLE - # DBB04NDO - M1 |

| REVISIONS |  |
|-----------|--|
| REV-6     |  |
| REV-5     |  |
| REV-4     |  |
| REV-3     |  |
| REV-2     |  |
| REV-1     | ADDED DIMS AND CHANGED TITLE 10-5-17 / LPC |